

Mystery Quilt

Construction (Part 2)

For this section you will need the following pieces from the fabric you cut:

Fabric A: 24 $3\frac{1}{2}$ " squares

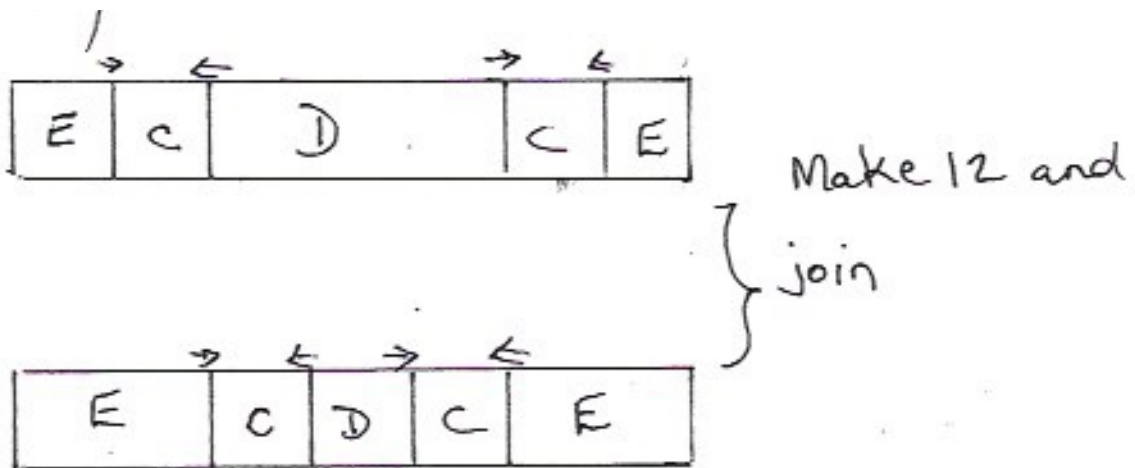
Fabric C: 48 2" squares

Fabric D: 12 2" squares and 12 2" x 5" rectangles

Fabric E: 24 2" squares and 24 2" x $3\frac{1}{2}$ " rectangles

Assembly:

Make 12 of each of the strips units and then join them. (Yes, this is the same as you did in part 1 but you need to create another set of these.)



Then add a $3\frac{1}{2}$ " square to either end.

